



LPRV

LOW PRESSURE
RELIEF VALVE

LOW PRESSURE SAFETIES COMPONENTS LOW PRESSURE RELIEF VALVE

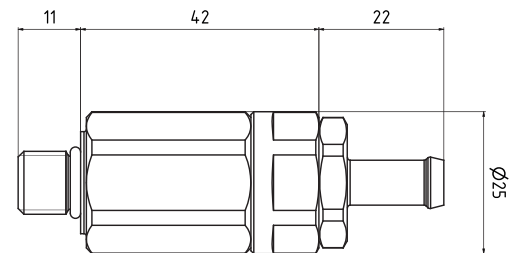
The pressure relief valve is a safety component which activates in case of overpressure, venting the gas from its outlet.

General features:

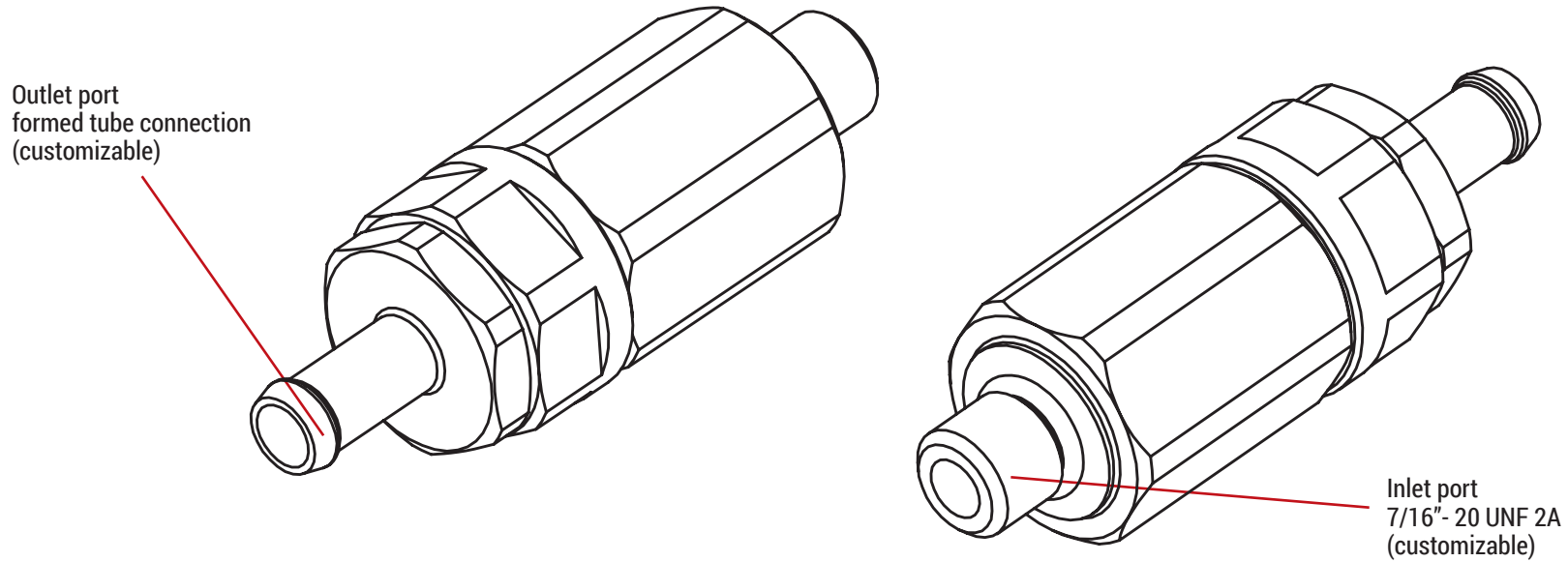
- Fully mechanical system
- Activation pressure can be customized
- Carthage connection



LOW PRESSURE
RELIEF VALVE



VALVES LAYOUT



AVAILABLE VERSIONS

Picture	Valve type	OMB P/N	Inlet	Pipe connection	Activation pressure	Flow rate Kv value & Flow characteristics	Certification	Remarks
	Low pressure relief valve	872.88.330	7/16"-20 UNF 2A	Formed tube connection SAE J1231	2.7 barG (+/-0.2 barG)	Kv = 0.35	/	Possible to customize the activation pressure